

BALDOR® • RELIANCE 

Product Information Packet

ECP4418T-4

60HP,890RPM,3PH,60HZ,405T,TEFC,F1

Part Detail							
Revision:	K	Status:	PRD/A	Change #:		Proprietary:	No
Type:	AC	Elec. Spec:	A40WG0789	CD Diagram:	416820-036	Mfg Plant:	
Mech. Spec:		Layout:	617429-501	Poles:	08	Created Date:	12-04-2013
Base:		Eff. Date:	03-12-2020	Leads:	3#4		

Specs			
Catalog Number:	ECP4418T-4	Insulation Class:	F
Enclosure:	TEFC	Inverter Code:	Inverter Ready
Frame:	405T	KVA Code:	F
Frame Material:	Iron	Lifting Lugs:	Standard Lifting Lugs
Output @ Frequency:	60.000 HP @ 60 HZ	Motor Lead Quantity/Wire Size:	3 @ 4 AWG
Synchronous Speed @ Frequency:	900 RPM @ 60 HZ	Motor Type:	A40060M
Voltage @ Frequency:	460.0 V @ 60 HZ	Mounting Arrangement:	F1
XP Class and Group:	CLI GP A,B,C,D	Power Factor:	79
XP Division:	Division II	Product Family:	General Industrial
Agency Approvals:	CSA EEV	Pulley End Bearing Type:	Ball
Auxillary Box:	No Auxillary Box	Pulley Face Code:	Standard
Base Indicator:	Rigid	Shaft Ground Indicator:	No Shaft Grounding
Bearing Grease Type:	Polyrex EM (-20F +300F)	Shaft Rotation:	Reversible
Constant Torque Speed Range:	6-60	Shaft Slinger Indicator:	Shaft Slinger
Current @ Voltage:	76.000 A @ 460.0 V	Speed Code:	Single Speed
Design Code:	B	Motor Standards:	NEMA
Drip Cover:	No Drip Cover	Starting Method:	Direct on line
Duty Rating:	CONT	Thermal Device - Bearing:	None

Feedback Device:	NO FEEDBACK	Thermal Device - Winding:	None
Heater Indicator:	No Heater	XP Temp Code:	T3A

Nameplate NP2496L

MOBIL POLYREX EM

Nameplate NP3238									
CAT NO	ECP4418T-4	SPEC NO.	A40-4849-0789						
HP	60	AMPS	76	VOLTS	460	DESIGN	B		
FRAME	405T	RPM	890	HZ	60	AMB	40	SF	1.15
D.E. BRG.DATA	6316	O.D.E. BRG.DATA	6316	PH	3	DUTY	CONT	INSUL.CLASS	F
D.E. BRG.	80BC03J30X	TYPE	P	ENCL	TEFC	CODE	F	NEMA NOM EFFICIENCY	93
O.D.E. BRG.	80BC03J30X	POWER FACTOR	79	MAX CORR KVAR	20.0	GUARANTEED EFFICIENCY	91.7		
3/4 LOAD EFF.	93.7	TEMP CODE	T3A	TEMP	= 180				
CHP HZ	60-90	CT HZ	6-60	VT HZ	0-60				
INVERTER-TEMP-CODE	T3A								
SER.NO.		MOTOR WEIGHT							

Parts List		
Part Number	Description	Quantity
SA273152	SA A40-4849-0789	1.000 EA
RA259755	RA A40-4849-0789	1.000 EA
421948051	LABEL, MYLAR	1.000 EA
000692000FF	N/P	1.000 EA
NP2496L	MOTOR LUBE NAMEPLATE	1.000 EA
000613006PU	N/P (RELEASE QTY 10,000) UL CSA LABEL	1.000 EA
000692000VD	LABEL WARNING	1.000 EA
NP3238	SS CP XEX SEVERE DUTY MAIN NP	1.000 EA
089412501A	BRKT FTMT G400 FIN MACH 6316 89412500WCA	1.000 EA
083198101A	G400 STD FAN COVER MACHINING	1.000 EA
034180012DA	KEY 1X4X1/4X1-1/2 L	1.000 EA
412118006A	DRAIN	2.000 EA
702618011RN	FAN 440 702618004T - 2.00 BORE 17.5 DIA	1.000 EA
004824015A	GREASE POLYREX EM	0.880 LB
032018020EK	HHCS 5/8-11X2-1/2 PLTD.	4.000 EA
032018010CK	HHCS 3/8-16X1-1/4 PLTD. 032018010CR	4.000 EA
032018026CK	HHCS 3/8-16X3-1/4 PLTD.	3.000 EA
415096002A	CPLG 1/8 HEX TYPE	1.000 EA
415045002B	SLGR	1.000 EA
410700000DA	WAVY SPRING WASHER	1.000 EA
034000014AB	WSH ID.406 OD.812 TH.065	4.000 EA
034530052AB	P/NIP 1/8X6-1/2 GALV.	1.000 EA
035000001G	GREASE RELIEF FITTING, ALEMITE 317400	1.000 EA
035000001G	GREASE RELIEF FITTING, ALEMITE 317400	1.000 EA

Parts List (continued)		
Part Number	Description	Quantity
035000001G	GREASE RELIEF FITTING, ALEMITE 317400	1.000 EA
034530056BB	P/NIP 1/4X7 SCHED 40	1.000 EA
089412501A	BRKT FTMT G400 FIN MACH 6316 89412500WCA	1.000 EA
032018020EK	HHCS 5/8-11X2-1/2 PLTD.	4.000 EA
032018026CK	HHCS 3/8-16X3-1/4 PLTD.	3.000 EA
034631002AB	BUSH 1/4 TO 1/8 PLTD.	1.000 EA
034692005AA	P PLUG 3/4"BLK.	1.000 EA
415045002B	SLGR	1.000 EA
034530040BB	P/NIP 1/4X5	1.000 EA
034631002AB	BUSH 1/4 TO 1/8 PLTD.	1.000 EA
034530040AB	P/NIP 1/8X5 GALV.	1.000 EA
415096002A	CPLG 1/8 HEX TYPE	1.000 EA
076708000BB	CONDUIT BOX-360	1.000 EA
415039016A	TERBD, 360-400	1.000 EA
076709000A	C/B Cover - 360	1.000 EA
067053000B	GASK 320-400	1.000 EA
418150003A	GREASE FITTING CAP	1.000 EA
032018010CK	HHCS 3/8-16X1-1/4 PLTD. 032018010CR	4.000 EA
035000001A	ALFTG 1/8" 1610-BL	1.000 EA
415000103H	T/LUG #2AWG-4/0AWG	1.000 EA
033512008LB	HHTTS 1/4-20X1 PLATED	4.000 EA
406099000A	PLUG - FAN COVER 320-440	1.000 EA
034000014AB	WSH ID.406 OD.812 TH.065	4.000 EA
035000001A	ALFTG 1/8" 1610-BL	1.000 EA

Product Information Packet: ECP4418T-4 - 60HP,890RPM,3PH,60HZ,405T,TEFC,F1

418150003A	GREASE FITTING CAP	1.000 EA
MG1025N19	WILKO 778.50 BLUE GREEN - 55 GAL DRUMS	0.380 GA
033775004EA	DRSCR #6-1/4 304 S.S.	4.000 EA
034180044JA	KEY 3/4X3/4X5-1/2 L	1.000 EA
PK5004A02	WOOD BASE 40X32 STACK 2X4 RUNNER	1.000 EA
032510024D	CARRIAGE BOLT - 444	2.000 EA
034001014AB	FLAT WASHER 3/8"PLATED	2.000 EA
034001016AB	WSHR .562ID 1.375OD .109	2.000 EA
033300014AC	HEX NUT, SHIPPING - 400	2.000 EA
604799003C	PLASTIC BAG 42X32X46	1.000 EA
LB1449	DIV-2/NEC WARNING LABEL	1.000 EA
035000001G	GREASE RELIEF FITTING, ALEMITE 317400	1.000 EA
032018005DL	1/2-13 X 5/8 SILICON BRONZE HHCS	1.000 EA

REL. S.O.	FRAME	HP	TYPE	PHASE/HERTZ	RPM	VOLTS
	405T	60	P	3/60	890	460
AMPS	DUTY	AMB °C/INSUL.	S.F.	NEMA DESIGN	CODE LETTER	ENCL.
76	CONT	40/F	1.15	B	F	TEFC
E/S	ROTOR	TEST S.O.	TEST DATE	STATOR RES @25 °C OHMS (BETWEEN LINES)		
496241	418142071BE	---	---	.114		

PERFORMANCE


LOAD	HP	AMPERES	RPM	POWER FACTOR %	EFFICIENCY %
NO LOAD	0	37.2	900	3.70	0
1/4	15.0	40.7	897	38.4	90.2
2/4	30.0	49.5	894	60.9	93.3
3/4	45.0	61.6	891	73.0	93.7
4/4	60.0	76.0	888	79.3	93.3
5/4	75.0	92.3	884	82.3	92.4

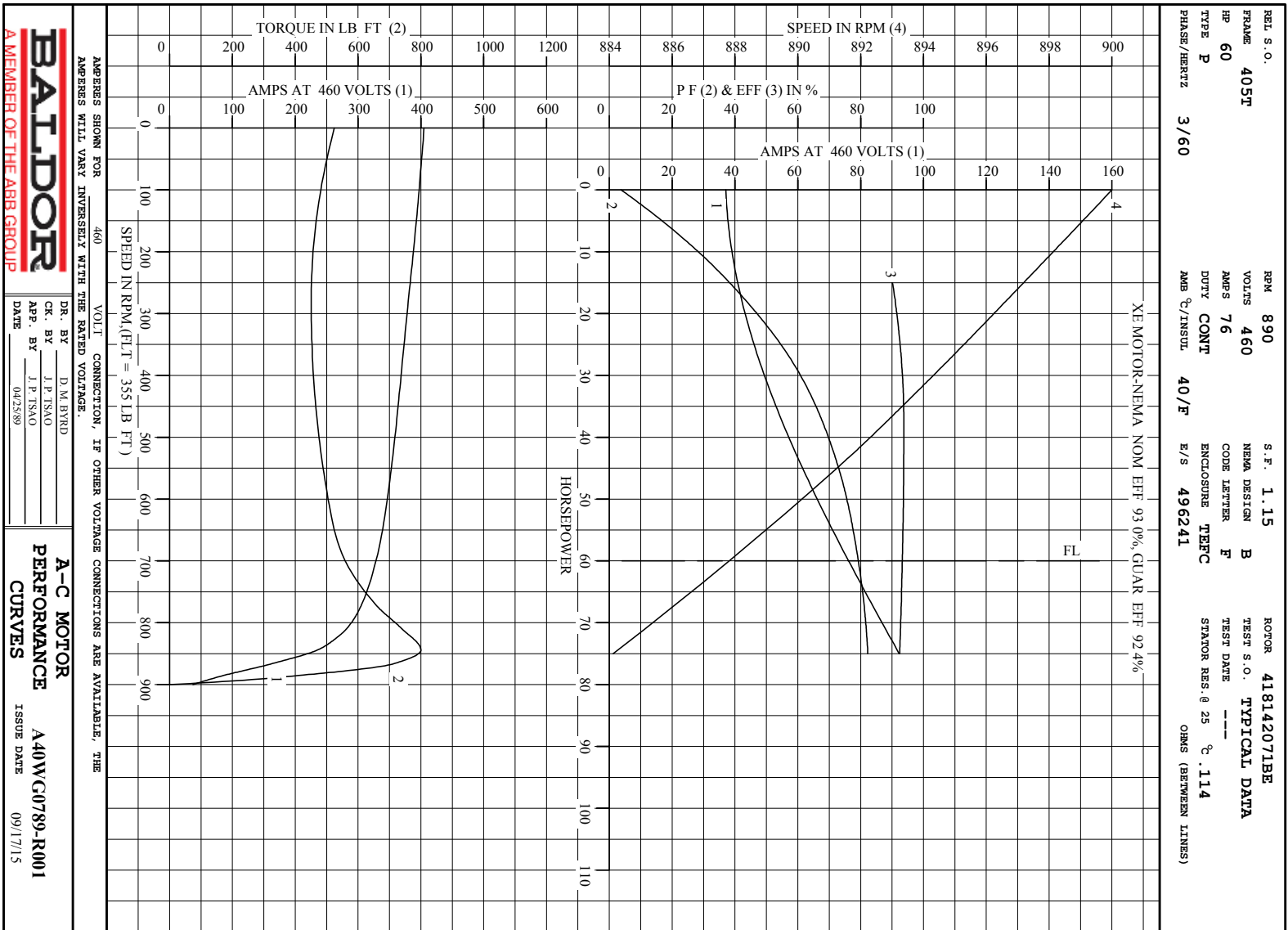
SPEED TORQUE

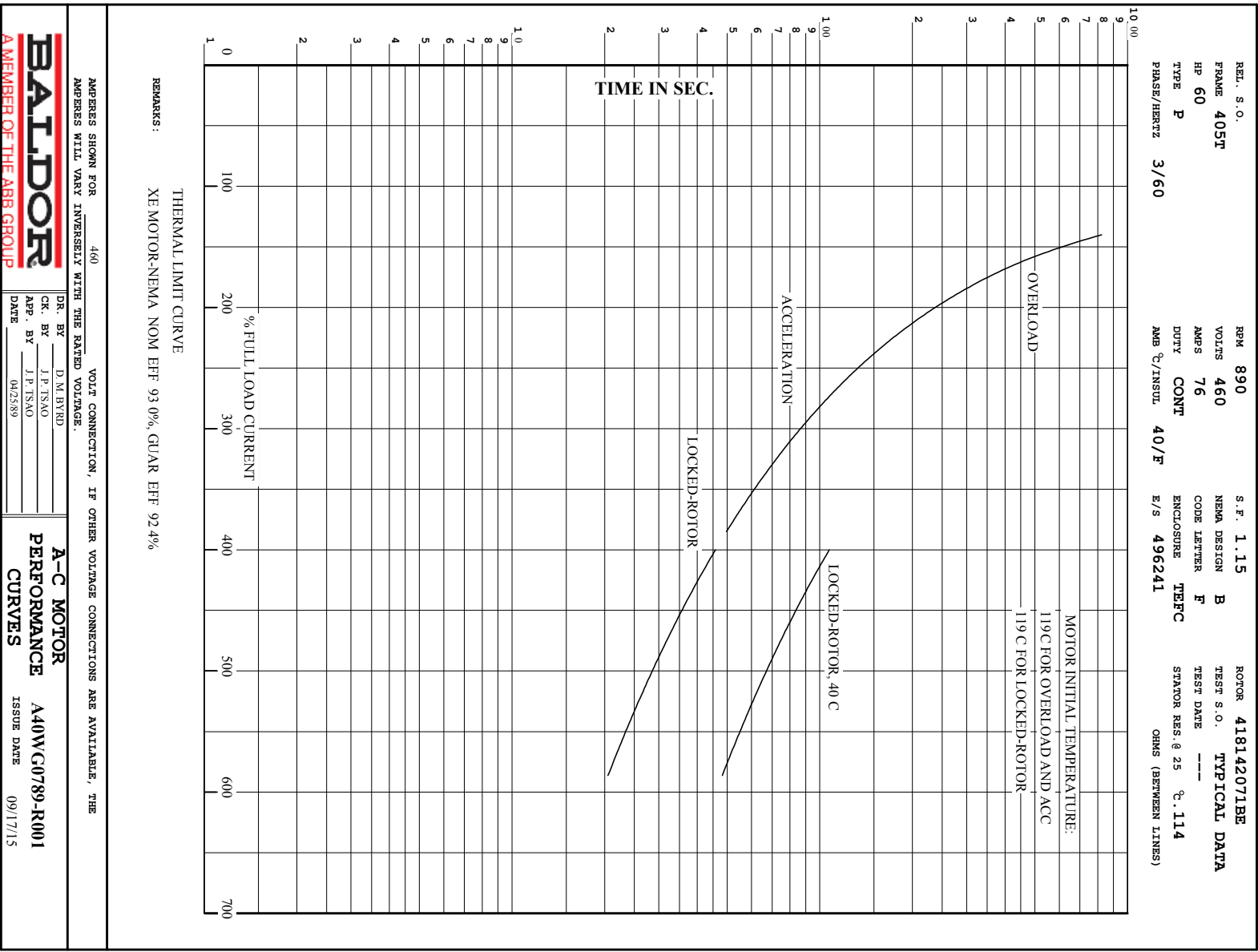
	RPM	TORQUE % FULL LOAD	TORQUE LB.-FT.	AMPERES
LOCKED ROTOR	0	148	525	405
PULL UP	280	127	451	380
BREAKDOWN	844	225	800	235
FULL LOAD	888	100	355	76.0

AMPERES SHOWN FOR 460. VOLT CONNECTION. IF OTHER VOLTAGE CONNECTIONS ARE AVAILABLE, THE AMPERES WILL VARY INVERSELY WITH THE RATED VOLTAGE

REMARKS: TYPICAL DATA
 XE MOTOR-NEMA. NOM. EFF. 93.0%, GUAR. EFF. 92.4%

 <p>A MEMBER OF THE ABB GROUP</p>	DR. BY	D. M. BYRD	<p>A-C MOTOR PERFORMANCE DATA</p> <p>ISSUE DATE 09/17/15</p>
	CR. BY	J. E. TSN0	
	APP. BY	J. E. TSN0	
	DATE	04/25/89	





BALDOR
A MEMBER OF THE ABB GROUP

DR. BY	D.M. BYRD
CK. BY	J.P. TSAO
APP. BY	J.P. TSAO
DATE	06/25/89

A-C MOTOR
PERFORMANCE
CURVES

A40W/C0789-R001
ISSUE DATE 09/17/15

617429-501

DUTY MASTER ALTERNATING CURRENT MOTORS

SQUIRREL-CAGE INDUCTION

ENCLOSURE: TOTALLY ENCLOSED

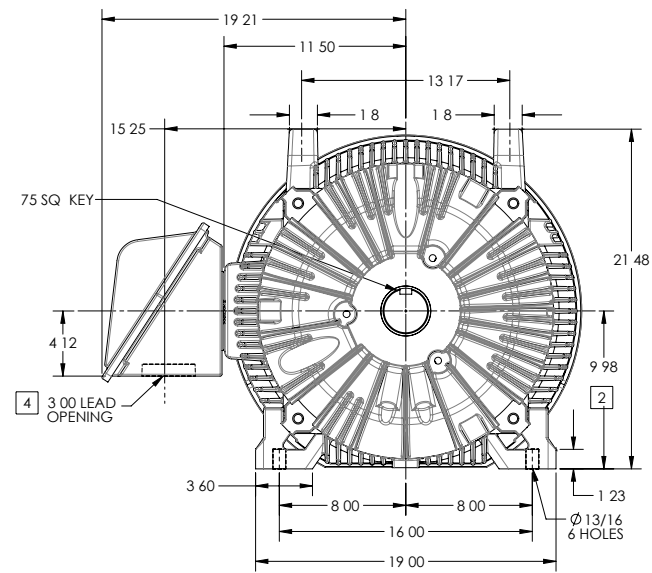
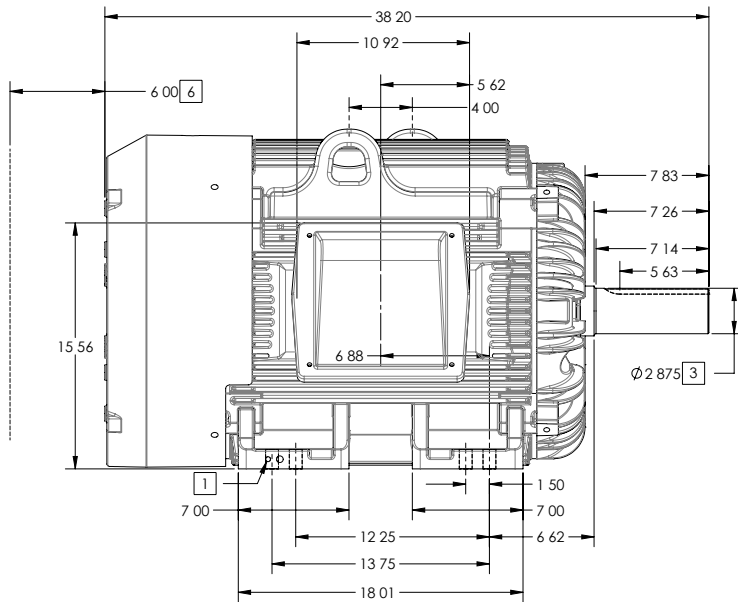
FRAME G405T ABOVE NEMA RATINGS

COOLING: FAN COOLED

MOUNTING: FOOT

INCLUDES 404T FRAME MOUNTING HOLES

XT/ECP SEVERE DUTY ENCLOSURE



- 1 GROUND HOLES QTY 1 1/2-13 TAP; QTY 1 3/8-16 TAP
- 2 VARIES + 00 - 06
- 3 VARIES + 000 - 001
- 4 ON STANDARD MOTORS THIS IS CONDUIT SIZE ON XT AND CORROSION PROOF MOTOR THIS IS PIPE TAP
- 5 MOTOR WEIGHTS MAY VARY BY 15% DEPENDING ON RATING
- 6 OBSTRUCTION MUST NOT ENCROACH ON AIR INLET

[5] WEIGHT (LBS): 1370

CONDUIT BOX LOCATED ON OPPOSITE SIDE WHEN F-2
 IF MOUNTING CLEARANCE DETAILS ARE REQUIRED, CONSULT FACTORY
 MAXIMUM PERMISSIBLE SHAFT RUNOUT WHEN MEASURED AT END OF
 STANDARD SHAFT EXTENSION IS .003 T I R TO 5 INCH DIA

DIMENSIONS ARE IN INCHES; SEE SHEET 2 FOR DIMENSIONS IN MILLIMETERS

CUSTOMER IS RESPONSIBLE FOR DETERMINING THAT MOTOR PERFORMANCE IS SUITABLE IN THE APPLICATION

SHEET NUMBER
1 OF 2

105-627219

REV. DESC	CHANGE BA FROM 6.76 TO 6.62		
REV B	VERSION 02	REVISED 01 11 16 0 1 201	TDR 0000008 8770
MODEL NO.	617 29-501		REF
BY	MGHMZ2	Material	

BALDOR

G 05T/ 0 T STD - FOOTED - XT/ECP SEVERE DUTY ENCLOSURE

617429-501

617429-501

DUTY MASTER ALTERNATING CURRENT MOTORS

SQUIRREL-CAGE INDUCTION

ENCLOSURE: TOTALLY ENCLOSED

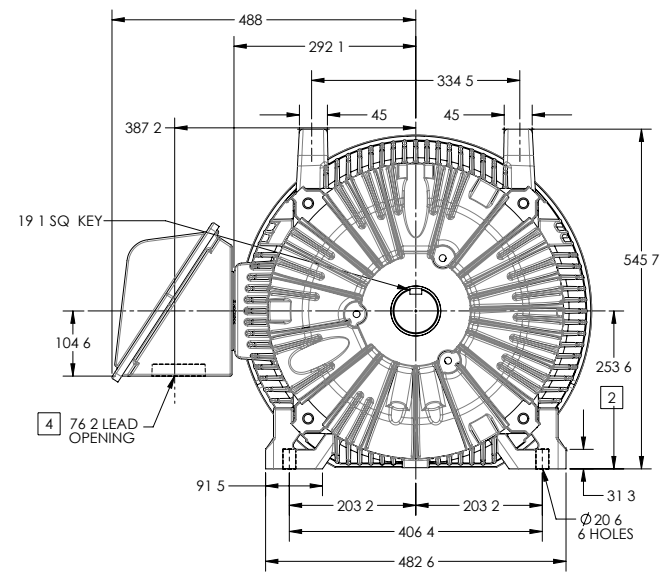
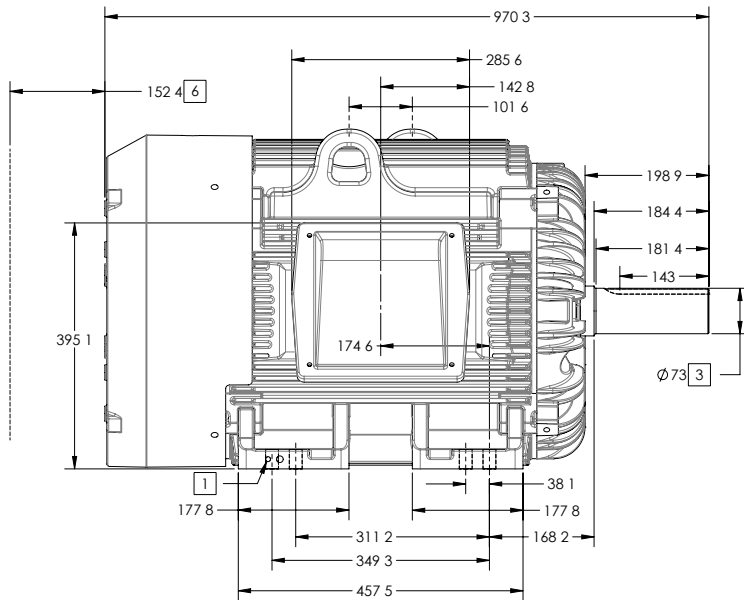
FRAME G405T ABOVE NEMA RATINGS

COOLING: FAN COOLED

MOUNTING: FOOT

INCLUDES 404T FRAME MOUNTING HOLES

XT/ECP SEVERE DUTY ENCLOSURE



- 1 GROUND HOLES QTY 1 1/2-13 TAP; QTY 1 3/8-16 TAP
- 2 VARIES + 0 -1.5
- 3 VARIES + 00 - 03
- 4 ON STANDARD MOTORS THIS IS CONDUIT SIZE ON XT AND CORROSION PROOF MOTOR THIS IS PIPE TAP
- 5 MOTOR WEIGHTS MAY VARY BY 15% DEPENDING ON RATING
- 6 OBSTRUCTION MUST NOT ENCROACH ON AIR INLET

[5] WEIGHT (KGS): 630

CONDUIT BOX LOCATED ON OPPOSITE SIDE WHEN F-2
 IF MOUNTING CLEARANCE DETAILS ARE REQUIRED CONSULT FACTORY
 MAXIMUM PERMISSIBLE SHAFT RUNOUT WHEN MEASURED AT END OF
 STANDARD SHAFT EXTENSION IS .08 MM T I R TO 127 MM DIA

DIMENSIONS ARE IN MILLIMETERS; SEE SHEET 1 FOR DIMENSIONS IN INCHES

CUSTOMER IS RESPONSIBLE FOR DETERMINING THAT MOTOR PERFORMANCE IS SUITABLE IN THE APPLICATION

SHEET NUMBER
2 OF 2

105-627219

REV. DESC	CHANGE BA FROM 6.76 TO 6.62		
REV B	VERSION 02	REVISED 01 11 16 0 1 201	TDR 000008 8770
MODEL NO.	617 29-501		REF
BY	MGHMZ2	Material	

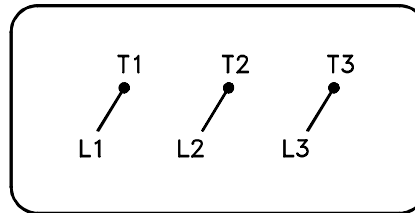
BALDOR

G 05T/ 0 T STD - FOOTED - XT/ECP SEVERE DUTY ENCLOSURE

617429-501

416820-036

A-C MOTOR
 CONNECTION DIAGRAM
 STANDARD 3 LEAD CONNECTED



(N.P. 1575-BA)

416820-036

REV. DESC: LOADED TO BUS, C/R 335225		
REV. LTR: -	VERSION: 00	TDR: 000000538207
FILE: \MGA\00000\682	REVISED: 11:54:06 04/30/2010	
MTL: -	BY: RAGRA	

BALDOR

CONN DIAG - STANDARD 3 LEAD

SH 1 of 1

Marketing maintained PDF of MN408:

[MN408?ManNumber=MN408](#)

Marketing maintained PDF of MN416:

[MN416?ManNumber=MN416](#)